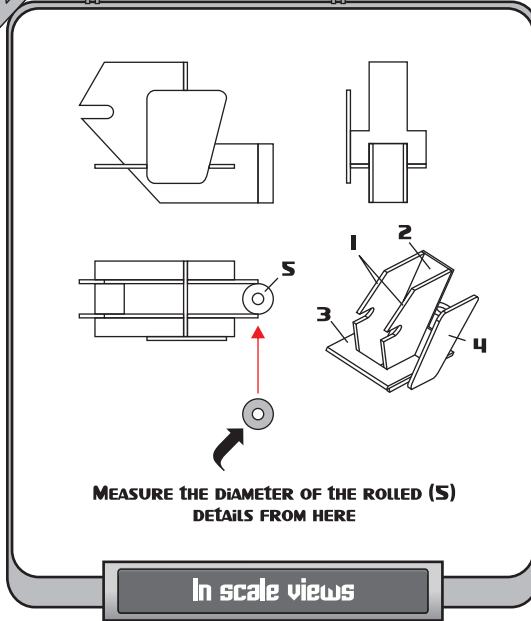
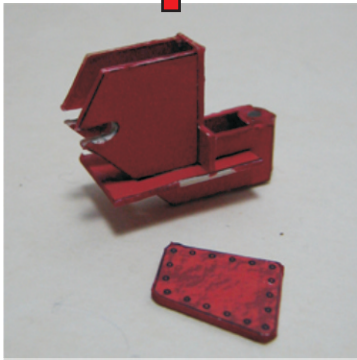
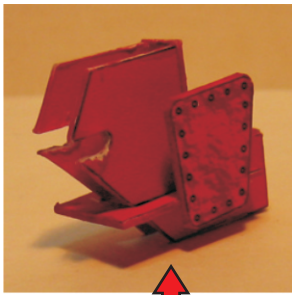


E.S.2

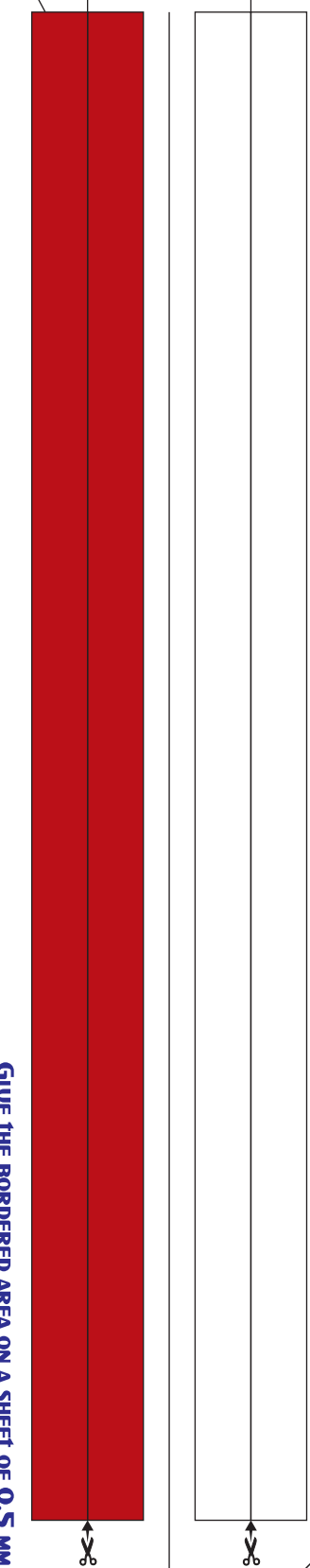
QUANTITY OF ELEMENTS ON THE SHEET: 2



MEASURE THE DIAMETER OF THE ROLLED (S) DETAILS FROM HERE

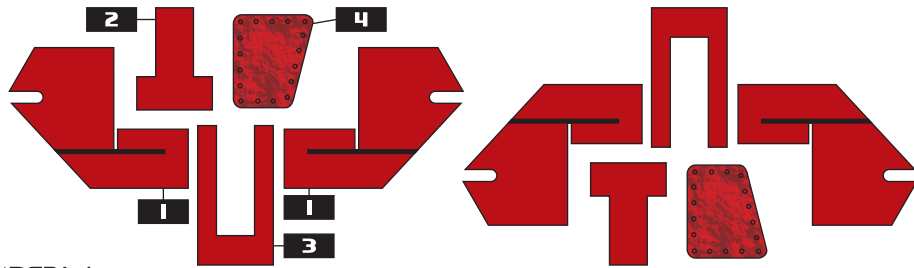
In scale views

BANDS FOR ROLLED DETAILS



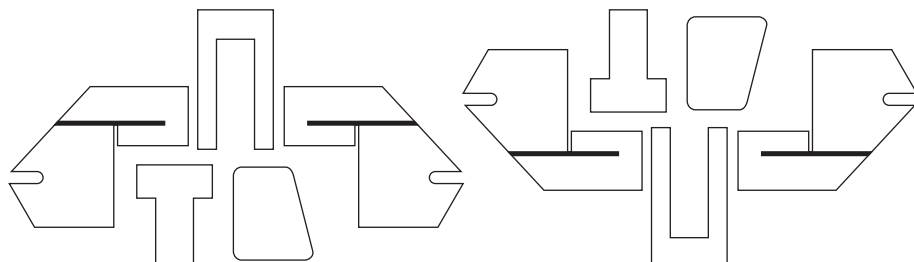
FOR MORE INFORMATION, VISIT THE MODULE'S WEB PAGE IN [HTTP://ROBOTS.PHOBBY.COM](http://ROBOTS.PHOBBY.COM)

BEND AND GLUE ON THE BACK SIDE OF THE THICK CARDBOARD



'RED' VERSION

'BLACK / WHITE' VERSION



THICK CARDBOARD

GIVE THE BORDERED AREA ON A SHEET OF 0.5 MM

CM

INCHES