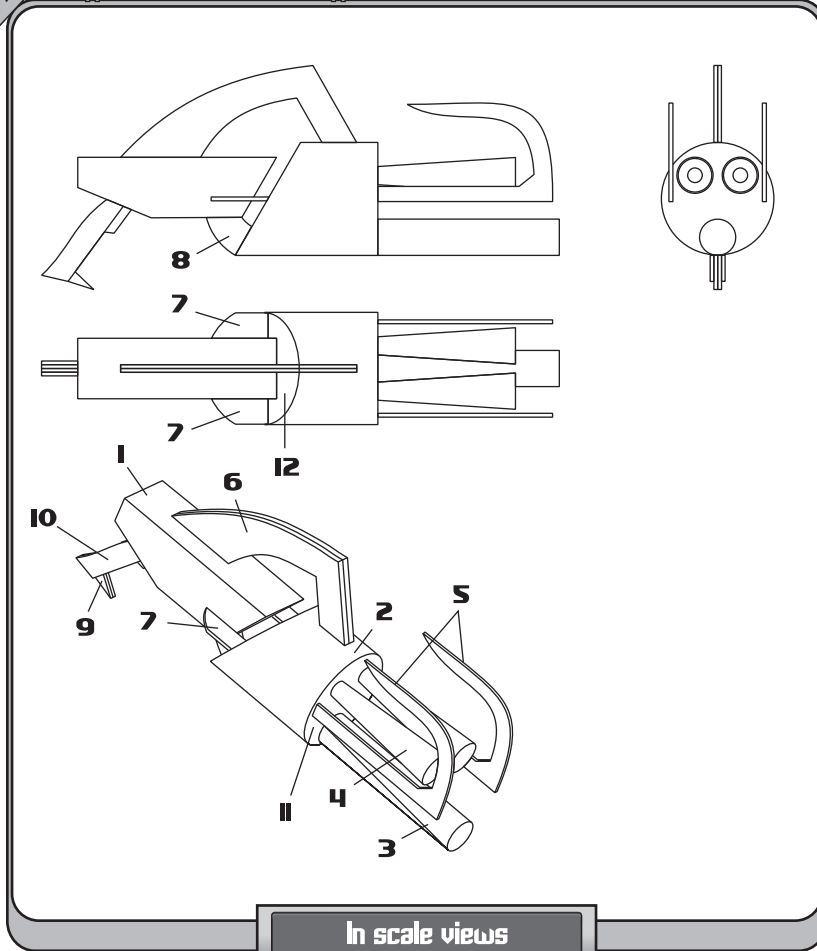


E.14.1

QUANTITY OF ELEMENTS ON THE SHEET: 1

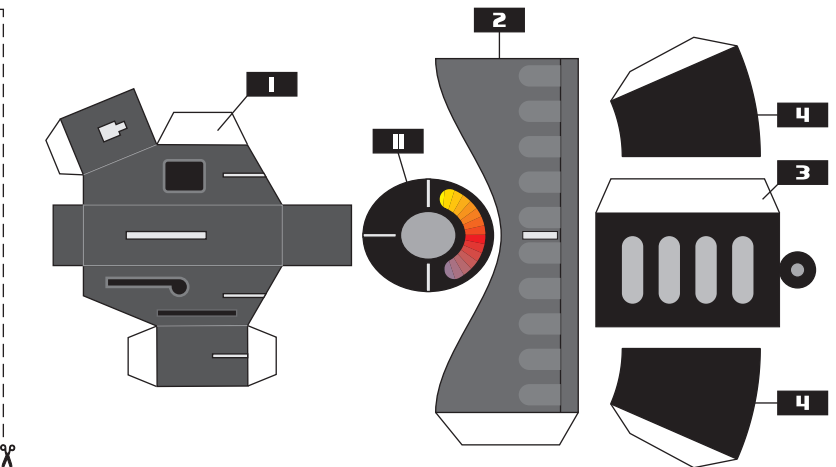
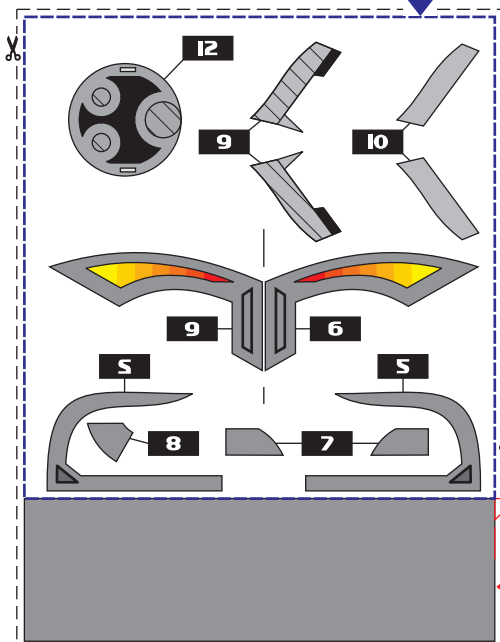


It is a good idea to tie the butt to the robot's palm by using a thin fishing cord.



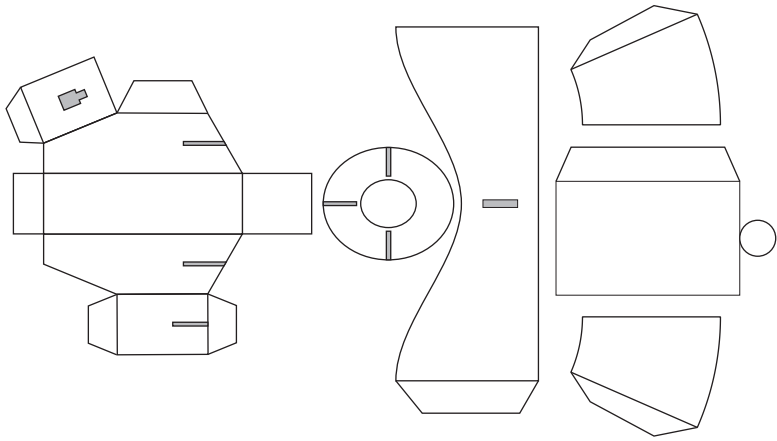
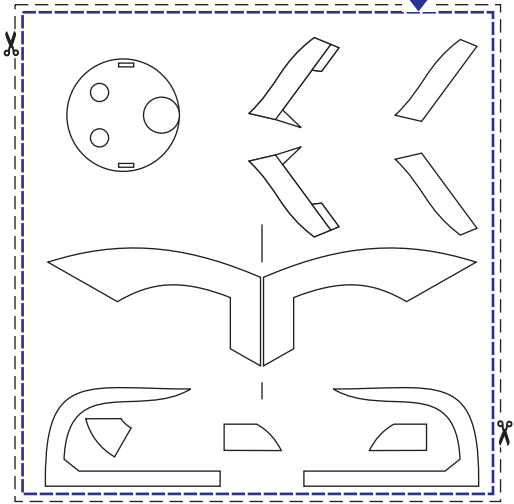
FOR MORE INFORMATION, VISIT THE MODULE'S WEB PAGE IN <http://ROBOTS.PHOBBY.COM> (ACCESSORIES SECTION)

GLUE THE BORDERED AREA ON A SHEET OF 0.5 MM THICK CARDBOARD



BEND AND GLUE ON THE BACK SIDE OF THE THICK CARDBOARD

GLUE THE BORDERED AREA ON A SHEET
OF 0.5 MM THICK CARDBOARD



GLUE THE BORDERED AREA ON A SHEET
OF 0.5 MM THICK CARDBOARD

